



RING BLOWER [HIGH -PRESSURE BLOWER] TURBO BLOWER



RT-7063 & RT-8086

RT-33019

RT-3009-1

RT-2005

RT-33026



Feature

Low noise

Low vibration

High precision

High performance

One-piece-type muffling design plus special soundproof material allow this model to effectively reduce the high-frequency sound caused by windage.

Corrected with computerized balancing instrument, the blades can rotate stably at high speeds with low vibration.

All the parts and components are processed with CNC machines, and are inspected via three-dimensional measurement equipment to ensure high precision.

The electrical mechanisms have passed tests conducted for dynamic characteristics, and have also passed inspections on pressure resistance, insulation, and layer short circuit for coil-winding.

RT Series

Single-stage side channel blower air flow max. to 1134 m³/hr and air pressure max. to 450mbar.

Two-stage side channel blower (high-pressure) with air flow max. to 575 m³/hr and air pressure max. to 580mbar.

Two-stage side channel blower (large-pressure) with air flow max. to 850 m³/hr and air pressure max. to 270mbar.

Technical Data for 50Hz IP54 3Phase (1phase)

Type No.	Curve No.	Output (Kw)	Stock Voltage △ / Y (U1, V1, W1, U2, V2, W2.)	Maximum Ari Flow m3 / min	Security top limit Vacuum / Pressure (mbar)	Noise Level (dB)	Weight (Kg)
RT-1002	21F	0.18	220 / 380 230 / 400 240 / 415 208-255 / 360-440 (110-120 / 220-240)	0.8	50 / 60	53	6.5
RT-1002-1	21F	0.18		0.8	50 / 60	53	6.5
RT-1002L	21F	0.18		0.8	50 / 60	50	6.5
RT-1003	22F	0.2		0.8	70 / 70	53	6.5
RT-1003-1	22F	0.2		0.8	70 / 70	53	6.5
RT-2005	31F	0.4		1.4	110 / 130	58	11
RT-2005-1	31F	0.4		1.4	110 / 130	58	11.5
RT-2005L	32F	0.4		1.4	110 / 130	58	11.5
RT-2005L-1	32F	0.4		1.4	110 / 130	58	12
RT-3009	41F	0.75		2.4	140 / 140	63	14.5
RT-3009-1	41F	0.75		2.4	140 / 140	63	15
RT-3009L	42F	0.75		2.4	140 / 140	63	15
RT-3009L-1	42F	0.75	2.4	140 / 140	63	15.5	
RT-3011	43F	0.9	2.4	165 / 140	63	15.5	
RT-3015	44F	0.3	2.4	175 / 140	63	16	
RT-4011	51F	0.9	220 / 380 230 / 400 240 / 415 208-255 / 360-440 (220-240)	3.6	130 / 130	70	20.5
RT-4011-1	51F	0.9		3.6	130 / 130	70	21
RT-4015	52F	1.3		3.6	180 / 180	70	22
RT-4015-1	52F	1.3		3.6	180 / 180	70	22.5
RT-4015L	52F	1.3		3.6	180 / 180	70	22.5
RT-4015L-1	52F	1.3		3.6	180 / 180	70	22.5
RT-4018-1	53F	1.5		3.6	210 / 220	70	23
RT-4019	53F	1.75		3.6	210 / 220	70	23
RT-4019L	54F	1.75		3.6	210 / 220	70	23.5
RT-4025	55F	2.2		3.6	220 / 270	70	26
RT-5026	61F	2.2		5.2	230 / 230	72	32
RT-5026-2	61F	2.2		5.2	230 / 230	72	33.5
RT-5026L	61F	2.2	5.2	230 / 230	72	33	
RT-6037	62F	3.4	5.2	260 / 280	72	35	
RT-6037-2	62F	3.4	5.2	260 / 280	72	36.5	
RT-6037L	62F	3.4	5.2	270 / 280	72	36	
RT-6046	63F	4	5.2	270 / 330	72	38	
RT-7053	81F	5.5	220 / 380 230 / 400 240 / 415 220-240 / 380-415	9.2	270 / 300	74	78
RT-8086	82F	7.5		9.2	300 / 400	74	82
RT-9110	91F	9		18.9	200 / 200	76	100
RT-9150	92F	13		18.9	300 / 300	76	112
RT-9220	93F	20		18.9	350 / 450	76	158
RT-23009	101F	0.75	220 / 380 230 / 400 240 / 415 208-255 / 360-440	1.5	200 / 240	60	17
RT-33019	111F	1.75		2.6	275 / 320	66	25
RT-33026	112F	2.2		2.6	280 / 375	66	28
RT-43037	121F	3.4		3.7	345 / 410	74	43
RT-43048	122F	4.0		3.7	355 / 485	74	45
RT-63046	131F	4.0		5.2	360 / 380	75	55
RT-63063	132F	5.5		5.2	410 / 515	75	72
RT-63066	133F	7.5		5.2	420 / 580	75	81
RT-64063	142F	5.5		7.8	200 / 220	75	70
RT-64086	143F	7.5		7.8	240 / 270	75	81
RT-83066	151F	7.5		9.6	320 / 320	76	112
RT-83130	152F	11		9.6	430 / 600	76	142
RT-83190	153F	15	9.6	450 / 700	76	160	
RT-84066	161F	7.5	14.2	150 / 150	76	110	
RT-84130	162F	11	14.2	260 / 260	76	140	

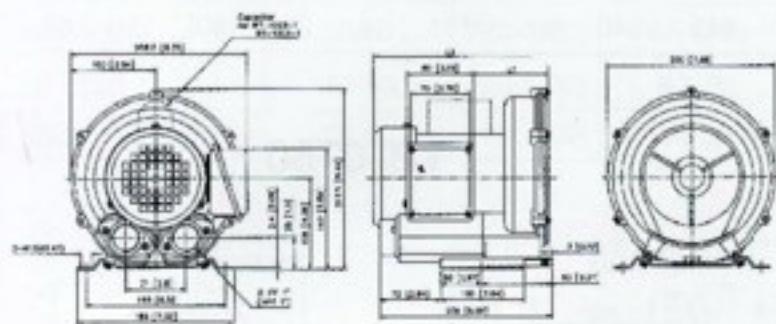
The technical data is based on 1 bar (abs.) free atmosphere and 20°C with Inlet air density 1.2kg/m³, includes 10% variance.

All rights reserved for technical specification changes without prior approval from any source outside Ron Tai, when considered necessary based on our research and development.

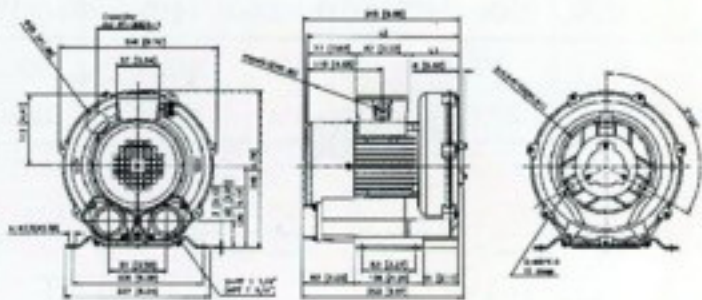
Drawing

The high-quality grease used in the shield ball bearing (impeller side) resists high temperature for life time usage.
The high-reliable grease sealed ball bearing (fan side) resists high temperature for motor coil.

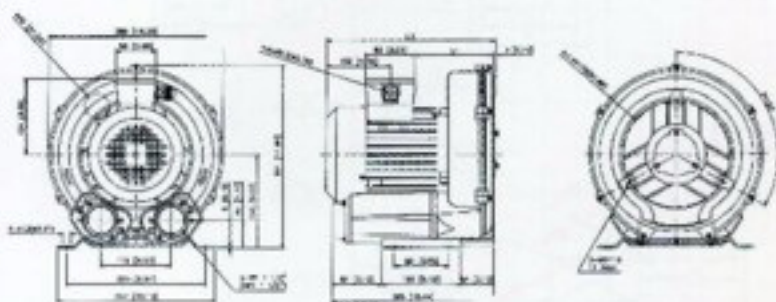
RT-1 Series



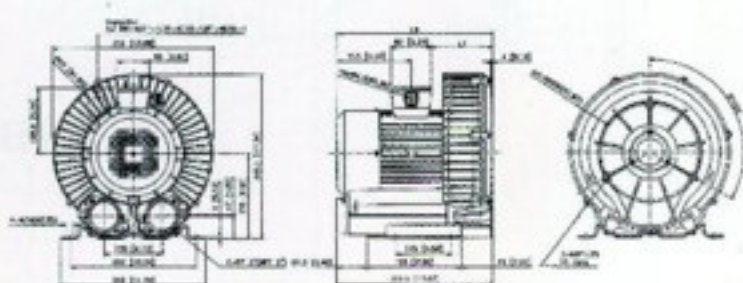
RT-2 Series



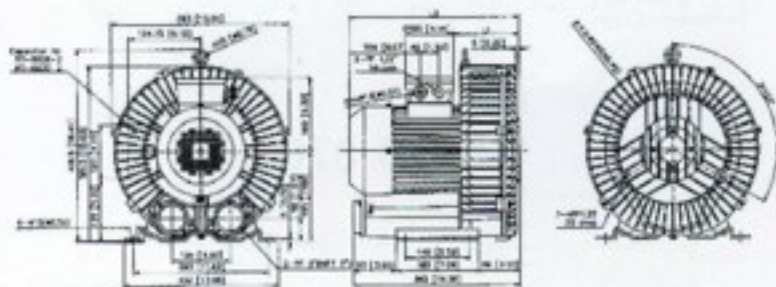
RT-3 Series



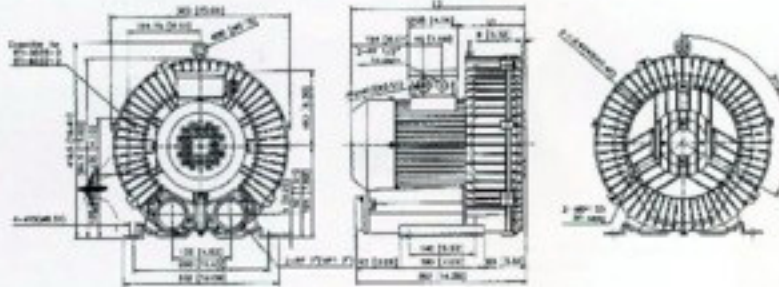
RT-4 Series



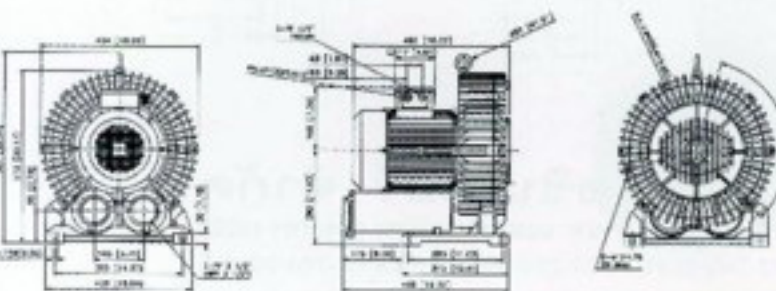
RT-5 Series



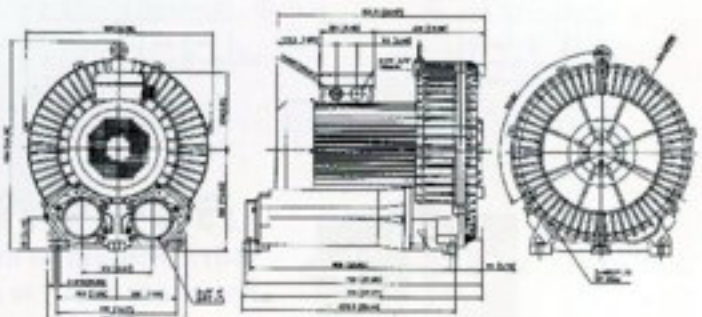
RT-6 Series



RT-7 & 8 Series



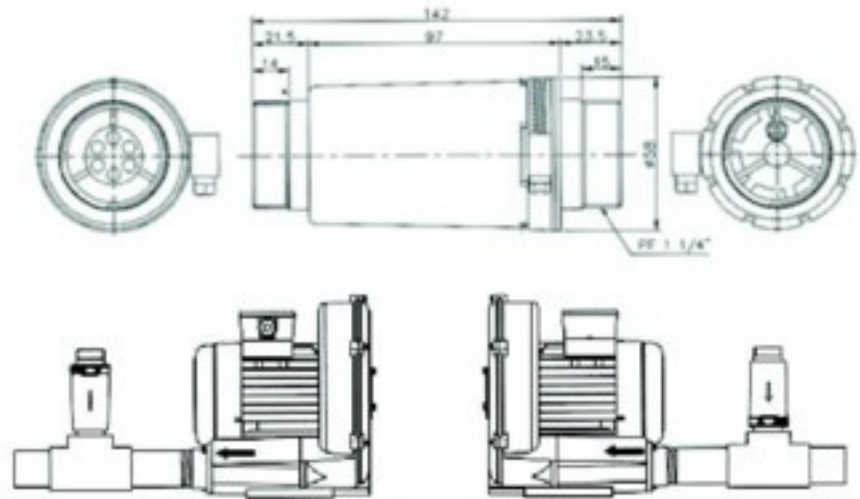
RT-9 Series



Adjustable Pressure & Vacuum Relief Valve

Relief Valve (PVC)

Type Number	Thread	Range
RV-03	PF-1 1/4"	0~300mbar
RV-36	PF-1 1/4"	300~600mbar



-Relief Valve

Over high pressure using shall be avoid in closed piping loop for side channel compressor/vacuum pump, otherwise deformation and break may occur to side channel compressor/vacuum pump due to temperature raise or over load, adjustable pressure & vacuum relief valve shall be installed to protect motor.

Inlet Filter

Filter with larger area shall be installed for opened suction inlet.

Dimensions

Type No.	Thread PT	A mm	D mm	L mm	M mm	Filtration mesh	Flow l/min	Weight kgs
MF-08	1"	42	58	170	155	100	110	0.20
MF-10	1 1/4"	54	71	186	170	100	210	0.35
MF-12	1 1/2"	65	85	196	182	100	285	0.49
MF-16	2"	75	103	215	202	100	395	0.65
MF-20	2 1/2"	97	148	274	252	100	750	1.20
MF-32	4"	142	208	380	357	100	1000	2.45

