

Self priming electropump manufactured in stainless steel AISI 304 suitable for water supply, domestic pressure boosting and small irrigation systems, pool and tank emptying and general clean water pumping.



### SPECIFICATIONS

- \* Maximum working pressure: 6 bar
- \* Maximum liquid temperature: 35°C according to EN 60335-2-41 for domestic uses, 60°C for other uses

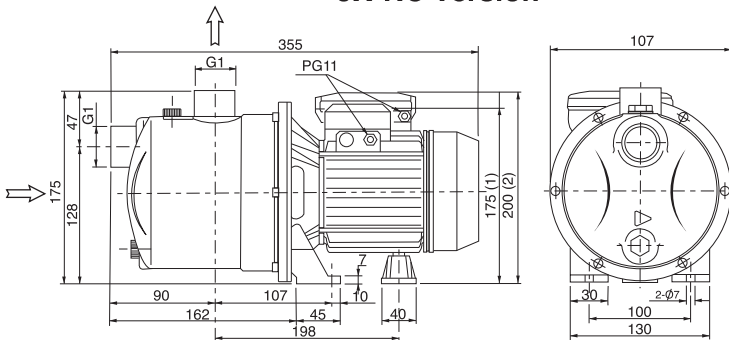
### MATERIALS

- \* Pump body, casing cover in AISI 304
- \* Shaft in AISI 303
- \* Impeller in AISI 304 for JX, in tecnopolymer for RC version
- \* Mechanical seal in carbon/ceramic/NBR

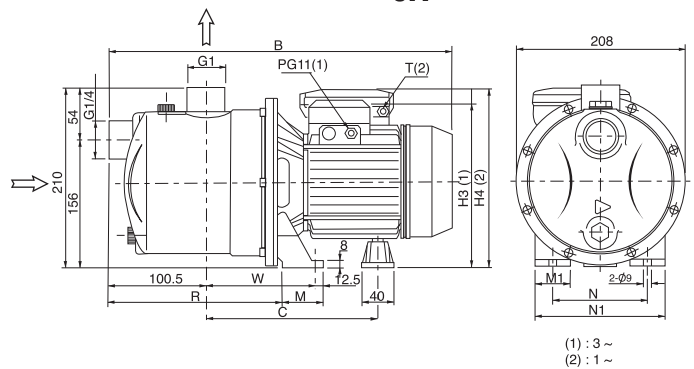
### TECHNICAL DATA

- \* T.E.F.C. 2 poles motor
- \* Insulation class F
- \* Protection degree IP55
- \* 1~230V ± 10% 50Hz, 3~230/400V ± 10% 50Hz
- \* Permanent split capacitor and automatic thermal overload protection for single-phase version
- \* Thermal protection to be provided by the user for three-phase version
- \* DNA 1" for RC version, 1¼" for JX
- \* DNM 1"

**JX-RC version**



**JX**

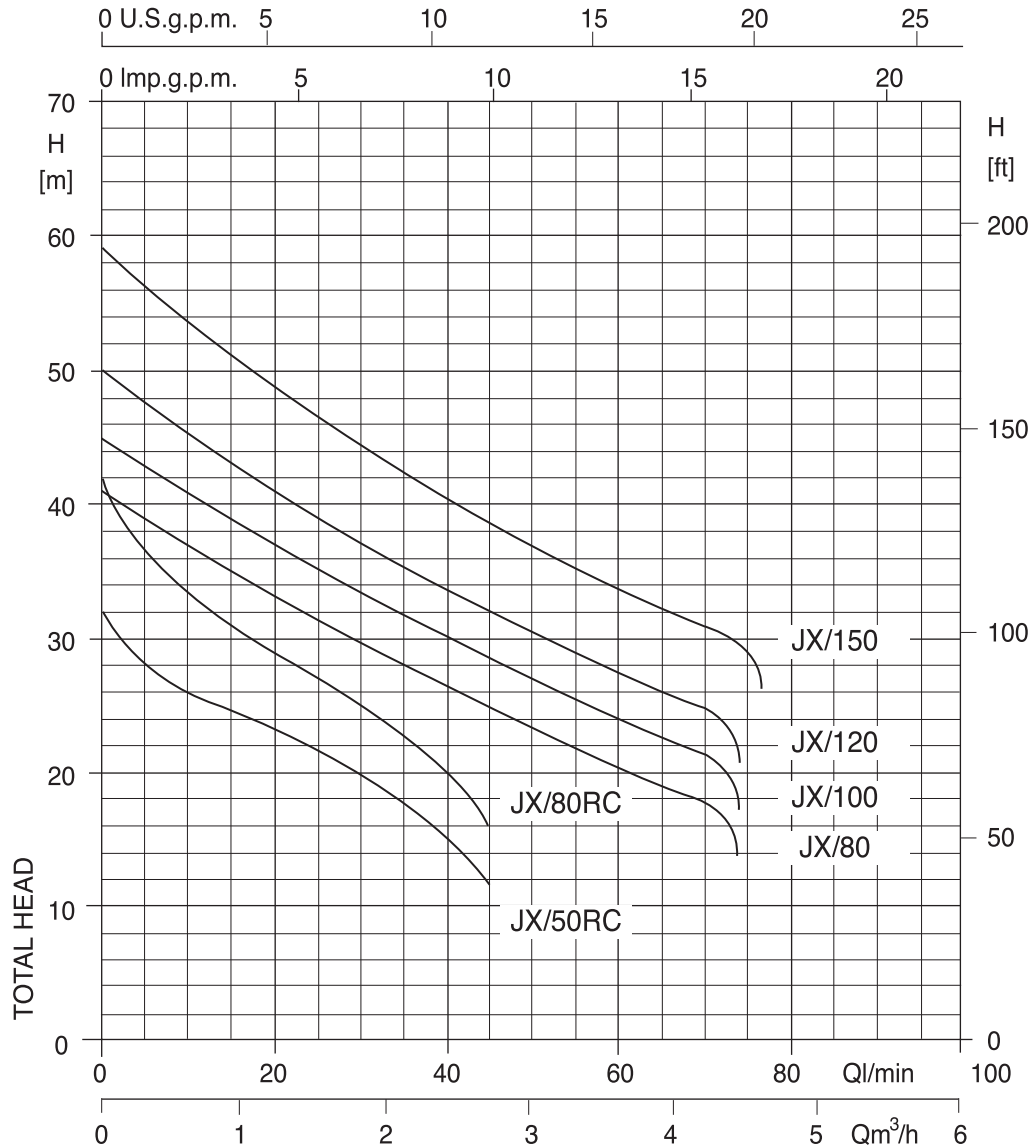


**DIMENSIONAL TABLE**

Pump type JX		Dimensions (mm)											Weight Kg
		B	C	H3	H4	M	M1	N	N1	R	T	W	
Single-phase	Three-phase												
50RC	50RC												5
80RC	80RC												6
80	80	417	230	206	215	50	38	120	160	206	PG11	143	10,5
100	100	417	230	206	215	50	38	120	160	206	PG11	143	11
120	120	417	230	206	215	50	38	120	160	206	PG11	143	11,5
150	150	445	250	216	240	55	40	140	180	203,5	PG13,5	145,5	14

### PERFORMANCE CURVES

( according to ISO 9906 grade 2 )



#### DIMENSIONAL TABLE

Pump type		kW	Capacitor		Absorbed Current (A)			H/MT	Q=Capacity								
Single-phase 230V 50Hz	Three-phase 230/400V 50Hz		μF	Vc	Single-phase	Three-phase 230V 400V			l/min m³/h	5 0,3	20 1,2	30 1,8	40 2,4	45 2,7	50 3	60 3,6	70 4,2
50RC	50RC	0,37	8	450	2,1	1,5	0,9	H/MT	28	23	20	15	11,5	-	-	-	-
80RC	80RC	0,6	12,5	450	3,0	2,2	1,3		37	29	25	20	16	-	-	-	-
80	80	0,6	16	450	4,7	3,3	1,9		39	33	29	26,5	25	23,5	20,5	18	-
100	100	0,75	20	450	6,1	4,5	2,6		43	37	33,5	30	28	27	24	21	-
120	120	0,9	20	450	6,3	4,7	2,7		47,5	41	37	34	32	30,5	27,5	24,5	-
150	150	1,1	31,5	450	8,0	5,9	3,4		56	49	44,5	40,5	38,5	37	34	31	29,5