

EL-120W ▶ 200



EL-120W, 150, 200 have earned the UL listing Mark.



In compliance with the European Community's Machinery Directive



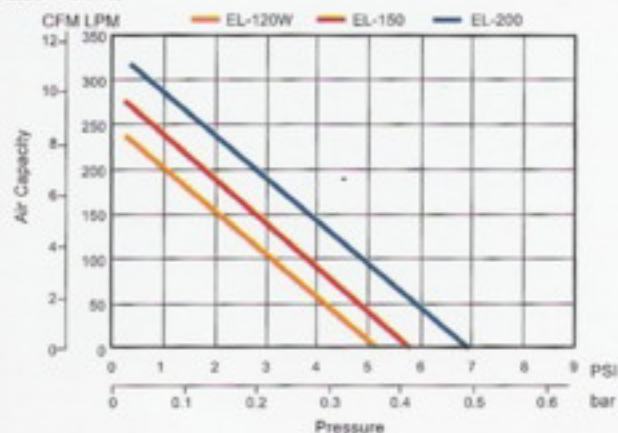
Data is subject to change without notice.

Specifications

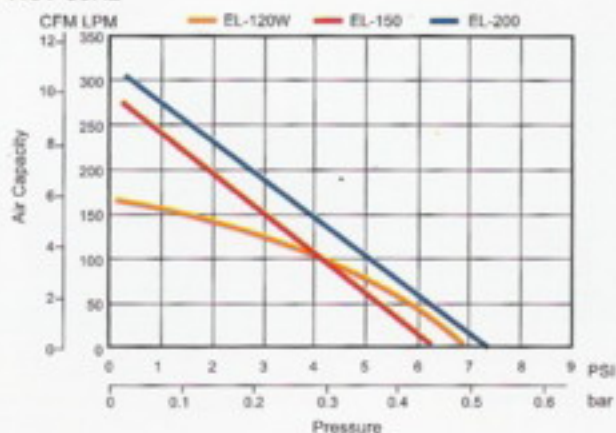
Model	Voltage VAC	Frequency Hz	Rated Pressure		Air flow		Power W	Net weight	
			PSI	bar	CFM	LPM		lbs.	kg
EL-120W	220	50	2.8	0.2	4.24	120	110	35.3	16
	115	60	2.8	0.2	4.41	125	126	35.3	16
EL-150	220	50	2.8	0.2	5.30	150	140	35.3	16
	115	60	2.8	0.2	5.47	155	138	35.3	16
EL-200	220	50	2.8	0.2	7.06	200	200	35.3	16
	115	60	2.8	0.2	7.06	200	194	35.3	16

Performance Curves

220V 50Hz

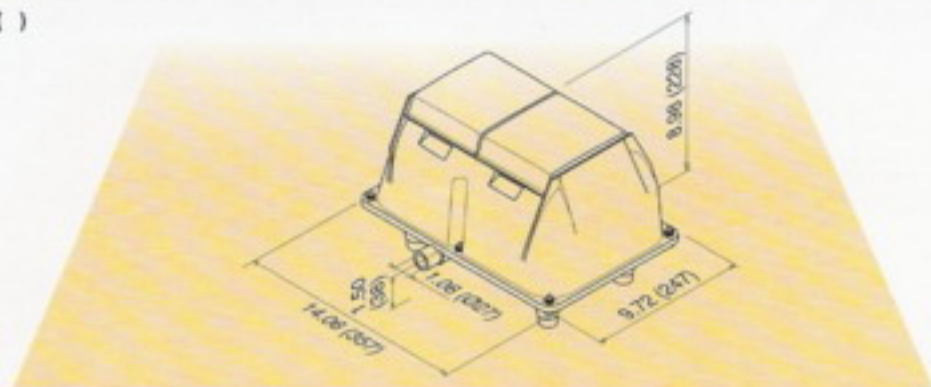


115V 60Hz



Dimensions (Inches)

Millimetres are in ()



EL-60▶100



EL-60,80-15,80-17, 100 have earned the UL Listing Mark.

LISTED



In compliance with the European Community's Machinery Directive



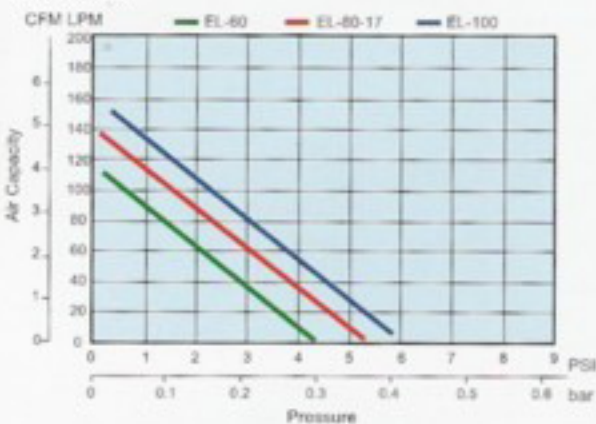
Data is subject to change without notice

Specifications

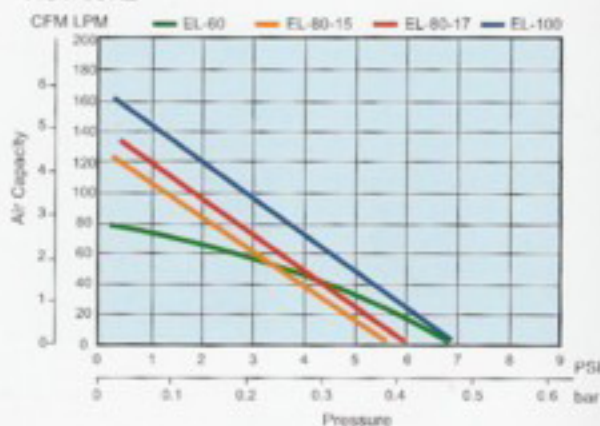
Model	Voltage VAC	Frequency Hz	Rated Pressure		Air flow		Power W	Net weight	
			PSI	bar	CFM	LPM		lbs.	kg
EL-60	220	50	2.1	0.15	2.12	60	65	18.7	8.5
	115	60	2.1	0.15	2.30	65	56	18.7	8.5
EL-80-15	115	60	2.1	0.15	2.82	80	61	18.7	8.5
EL-80-17	220	50	2.4	0.17	2.82	80	80	18.7	8.5
	115	60	2.4	0.17	3.00	85	71	18.7	8.5
EL-100	220	50	2.4	0.17	3.53	100	110	18.7	8.5
	115	60	2.4	0.17	3.88	110	106	18.7	8.5

Performance Curves

220V 50Hz

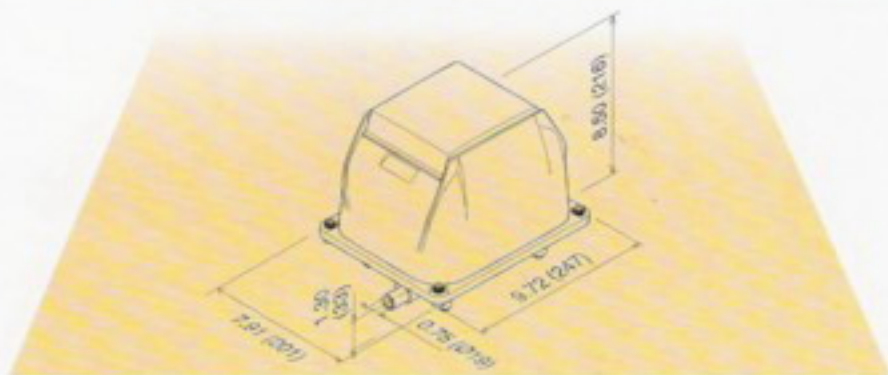


115V 60Hz



Dimensions (Inches)

Millimetres are in ()



SLL-20▶50



Data is subject to change without notice.



SLL-20,30,40 have earned the UL Listing Mark.

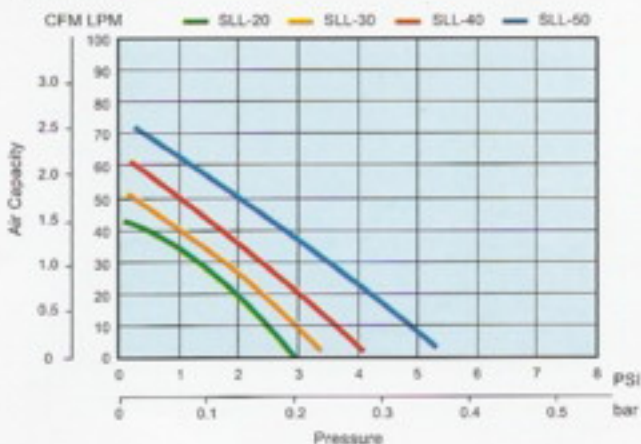
In compliance with the European Community's Machinery Directive

Specifications

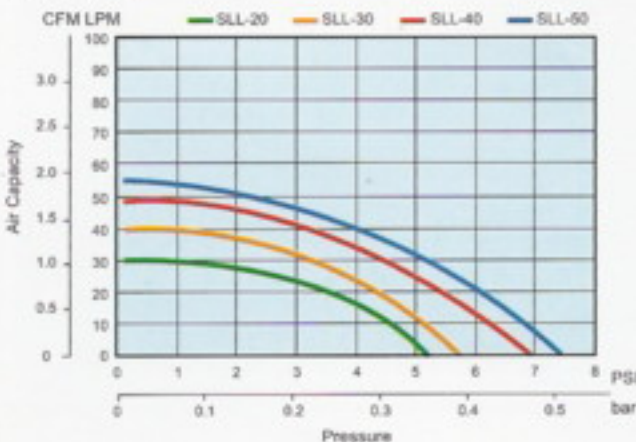
Model	Voltage	Frequency	Rated Pressure		Air flow		Power W	Net weight	
	VAC	Hz	PSI	bar	CFM	LPM		lbs.	kg
SLL-20	220	50	1.7	0.12	0.81	23	15	9.9	4.5
	115	60	1.7	0.12	0.99	28	23	9.9	4.5
SLL-30	220	50	1.7	0.12	1.17	33	25	9.9	4.5
	115	60	1.7	0.12	1.31	37	32	9.9	4.5
SLL-40	220	50	1.7	0.12	1.41	40	35	9.9	4.5
	115	60	1.7	0.12	1.62	46	45	9.9	4.5
SLL-50	220	50	1.8	0.13	1.77	50	50	9.9	4.5
	115	60	1.8	0.13	1.80	51	56	9.9	4.5

Performance Curves

220V 50Hz



115V 60Hz



Dimensions (Inches)

Millimetres are in ()

